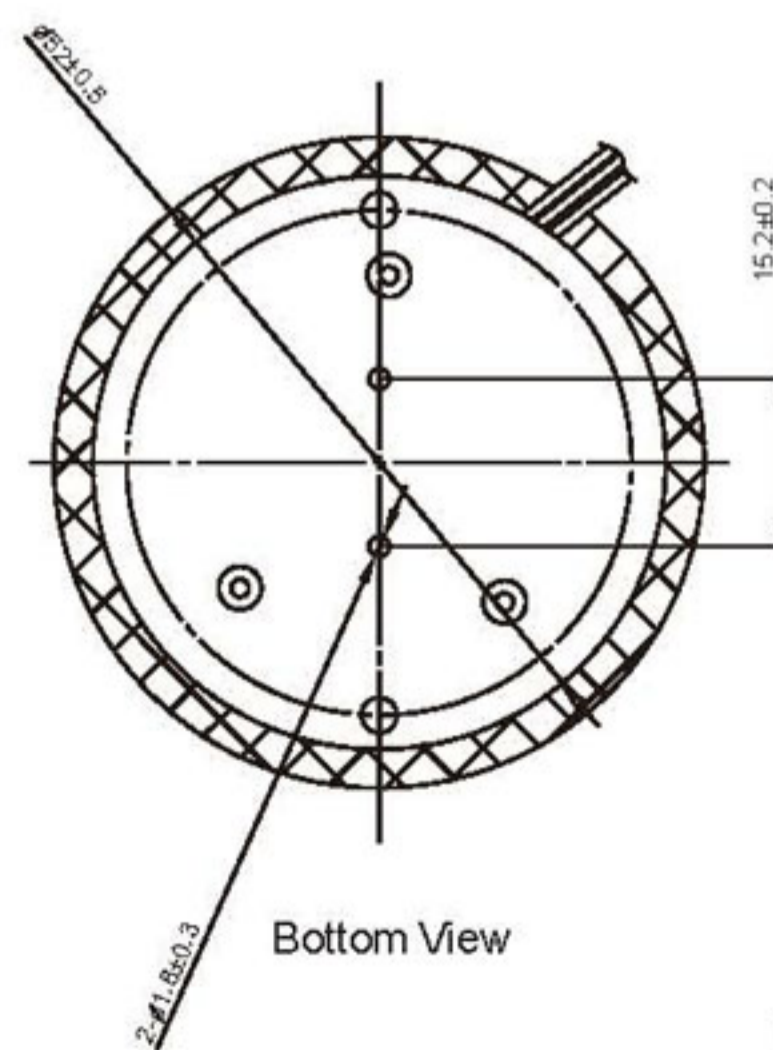
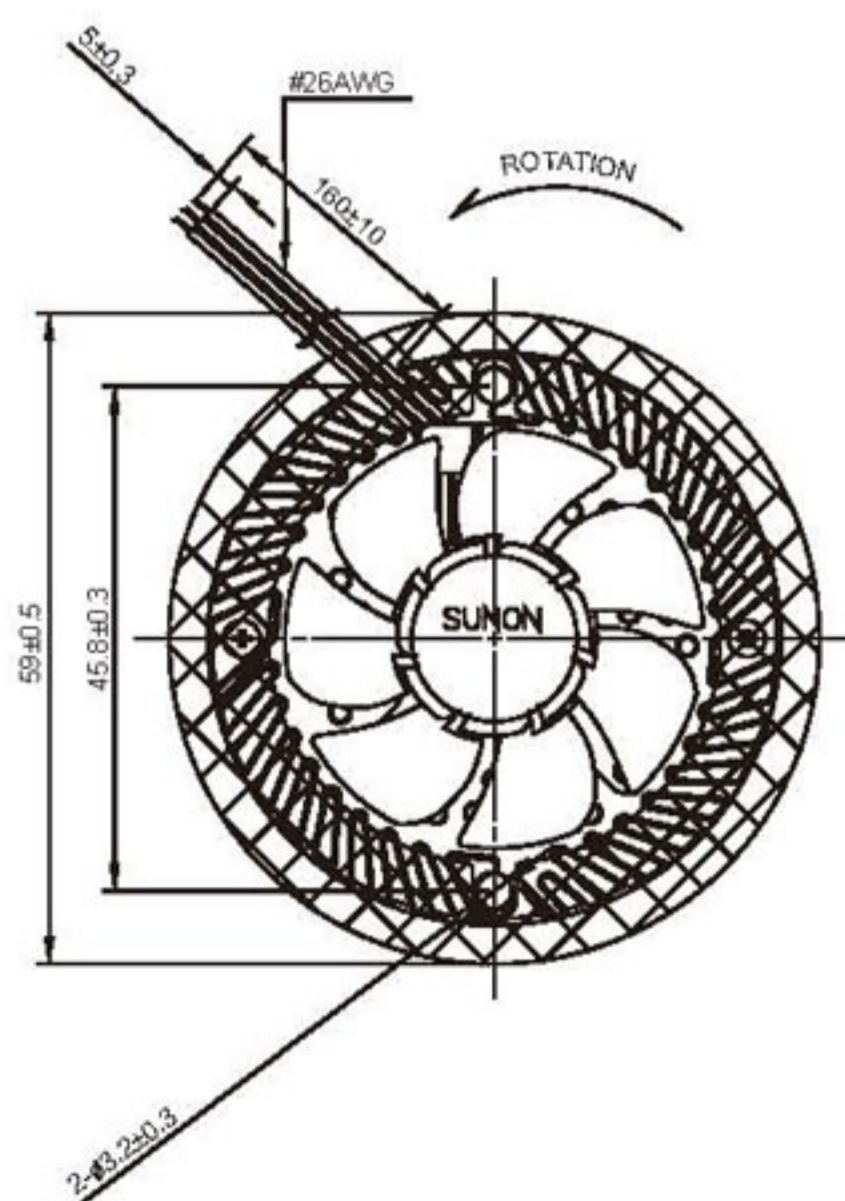


# 15W LED A19 照明散熱模組產品

- 最佳聲音品質
- 延長LED燈泡使用壽命
- 高可靠度

Specification	
Model No.	TA001-09012
Module Dimension	∅ 59 x 20.53 mm
Weight	48.0 g
Thermal Resistance	1.2°C / Watts
Cooling Module Noise @1M	16.8 dB(A)
Rated Voltage	5 V
Power Consumption	0.21 W
Fan Speed (with Heat Sink)	3800 RPM
Heat Sink Material	ADC12
Safety	UL / CUR / TUV / CE



UNIT: mm