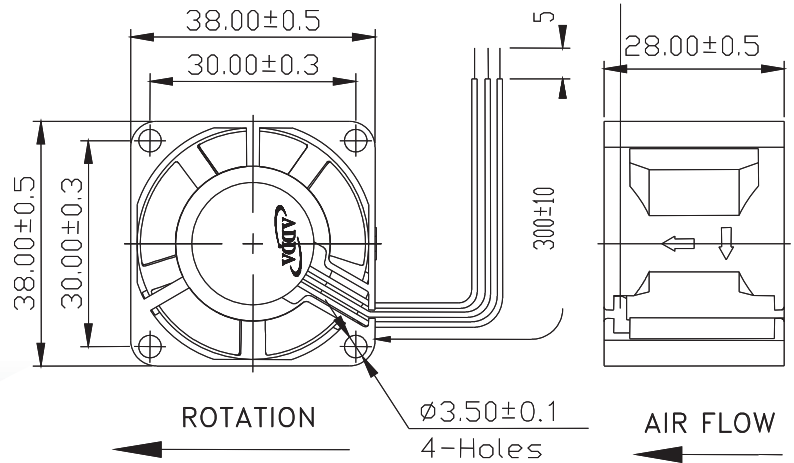




AD3828GP SERIES



External Dimensions



Frame:Plastic(UL:94V-0)
 Impeller:Plastic(UL:94V-0)
 Lead wire:UL1061AWG26

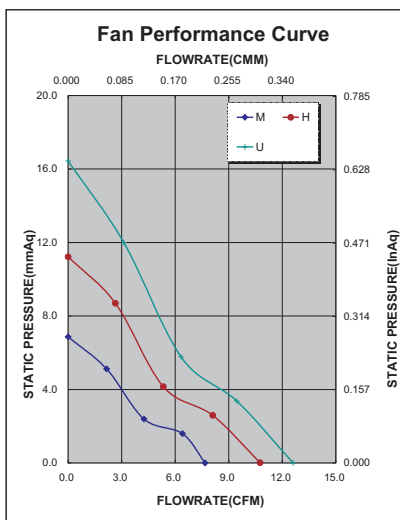
Specifications(Nominal)

*:Noise is measured at the distance of one (1) meter from the axis of intake.

Bearing type: ◎=Ball ※=Sleeve ○=1B1S ●=Hypro bearing

Frame size (mm)	Model No.	Bearing System Type	Rated Voltage (VDC)	Current (A)	Power (W)	Rated Speed (rpm)	Maximum AirFlow (CMM)	Maximum AirFlow (CFM)	Maximum Pressure (InAq)	Maximum Pressure (mmAq)	*Noise Level (dB/A)	Weight (g)
38x38x28	AD3812MB-B51GP(TP)	◎	12	0.11	1.32	7000	0.212	7.50	0.264	6.70	28.5	38
	AD3812HB-B51GP(TP)	◎	12	0.22	2.64	9000	0.283	10.00	0.440	11.10	36.5	
	AD3812UB-B51GP(TP)	◎	12	0.26	3.12	11000	0.351	12.40	0.660	16.70	41.0	

Specifications subject to change without notice.



*Motor protective circuit and third lead wire functions

0	1	2	3	4	6	7	8	9	A	B
	✓	✓	✓							

*Safety approvals

✓	✓		✓	✓