

Plastic Filters

Consist of three parts

- Finger guard
- Filter media
- Filter cover

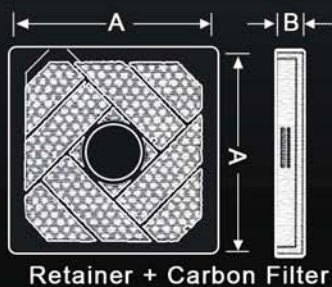
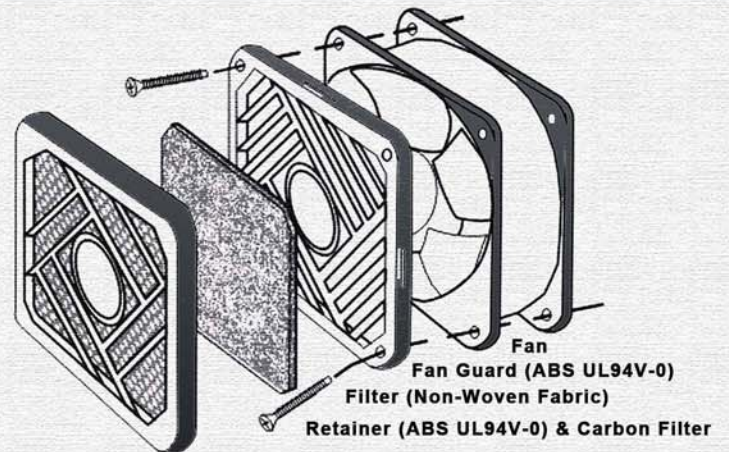
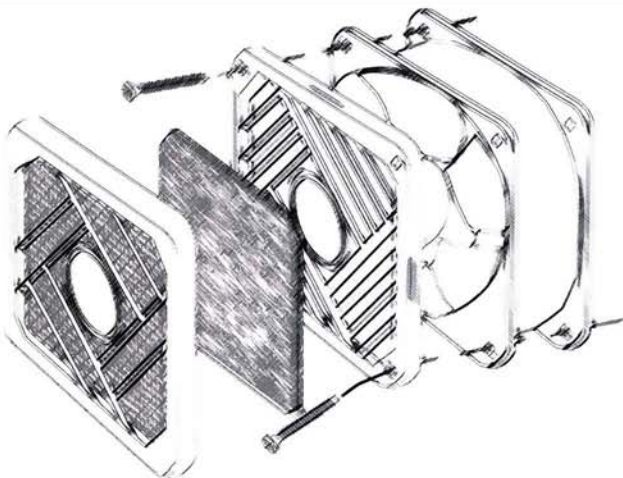


Dimension(unit in m/m)

P/N.	FAN SIZE	Dim.A	Dim.B	Dim.C	Dim.D	Dim.E	Mounting Hole Dia.
GRM-040	40mm	45.1	8.3	32.0	5.0	41.9	φ 3.8
GRM-060	60mm	65.1	9.5	50.0	5.0	61.9	φ 3.8
GRM-080	80mm	85.3	12.3	71.5	6.0	81.0	φ 3.8
GRM-090	92mm	95.8	12.3	82.5	6.0	92.5	φ 3.8
GRM-120	120mm	125.7	12.3	104.8	6.0	121.4	φ 5.1

Plastic material:ABS 94v-0,Flame Retardant.

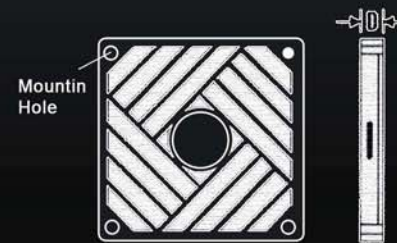
Color:Standard = Black.Other colors can be specified.



Retainer + Carbon Filter



Filter (Density=Low, Medium, or High)



Fan Guard