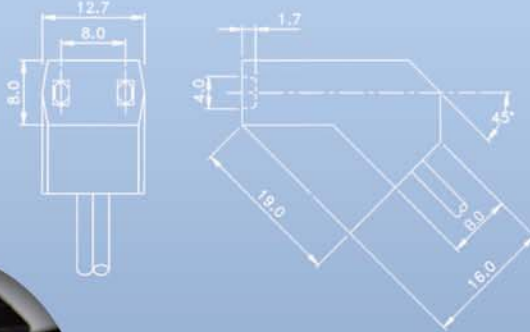




Plugs & Cables

- Made of UL/CAS approved material
- Four configurations available
- The standard cord lengths.

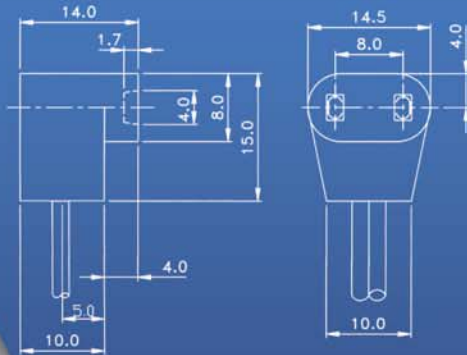
45°



MODEL NO. ACC002
 DESCRIPTION : PIUG = PVC UL 105 °C
 MATERIAL : LEAD WIRE = SPT-1 18 AWG 105°
 FINISH : TERMINAL= JISC5120 PBS
 TOLERANCE LINEAR +/- 50 MM
 ANGULAR +/- 0.5 DEG.

ITEM	SIZE	PART NO.
01	12 inches (304.8 mm)	MEP1549718510
02	24 inches (609.6 mm)	MEP1549718520
03	36 inches (914.4 mm)	MEP1549718530
04	40 inches (1016.0 mm)	MEP1549718540
05	50 inches (1270.0 mm)	MEP1549718550
06	60 inches (1524.0 mm)	MEP1549718560
07	80 inches (2032.0 mm)	MEP1549718570
08	314.961 inches (8000.0 mm)	MEP1549718580

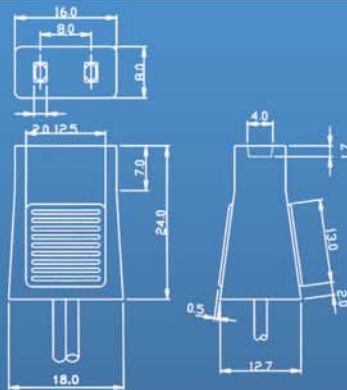
90°



MODEL NO. ACC003
 DESCRIPTION : PIUG = PVC UL 105 °C
 MATERIAL : LEAD WIRE = SPT-1 18 AWG 105°
 FINISH : TERMINAL= JISC5120 PBS
 TOLERANCE LINEAR +/- 20 MM
 ANGULAR +/- 0.5 DEG.

ITEM	SIZE	PART NO.
01	12 inches (304.8 mm)	MEP1549718610
02	24 inches (609.6 mm)	MEP1549718620
03	36 inches (914.4 mm)	MEP1549718630
04	40 inches (1016.0 mm)	MEP1549718640
05	50 inches (1270.0 mm)	MEP1549718650
06	60 inches (1524.0 mm)	MEP1549718660
07	80 inches (2032.0 mm)	MEP1549718670

180°



MODEL NO. ACC001
 DESCRIPTION : PIUG = PVC UL 105 °C
 MATERIAL : LEAD WIRE = SPT-1 18 AWG 105°
 FINISH : TERMINAL= JISC5120 PBS
 TOLERANCE LINEAR +/- 20 MM
 ANGULAR +/- 0.5 DEG.

ITEM	SIZE	PART NO.	AWG#
01	12 inches (304.8 mm)	MEP1549718410	18/105 °C
02	24 inches (609.6 mm)	MEP1549718420	18/105 °C
03	36 inches (914.4 mm)	MEP1549718430	18/105 °C
04	40 inches (1016.0 mm)	MEP1549718440	18/105 °C
05	50 inches (1270.0 mm)	MEP1549718450	18/105 °C
06	60 inches (1524.0 mm)	MEP1549718460	18/105 °C
07	80 inches (2032.0 mm)	MEP1549718470	18/105 °C
08	40 inches (1016.0 mm)	MEP1549718480	18/180 °C
09	314.961 inches (8000.0 mm)	MEP1549718490	18/180 °C

* The measured magnitude of leading wire has included the length of socket pin.